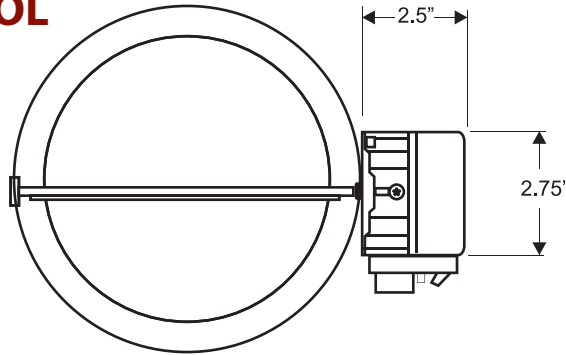
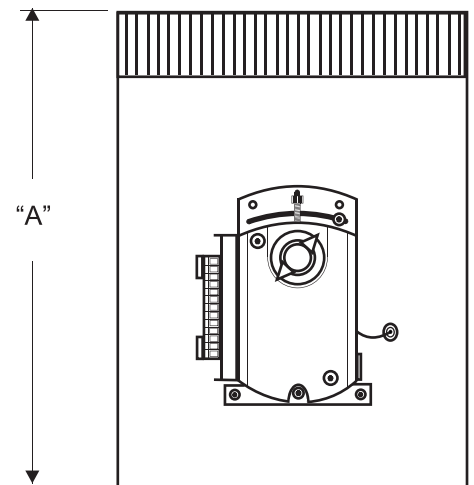
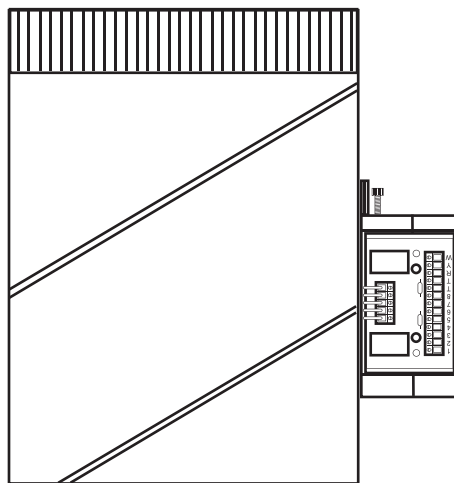


SPECIFICATION SHEET

ZD-XX ROUND, MOTORIZED CONTROL DAMPERS



DAMPER SIZE	"A" DIMENSION
6"	10"
8"	10"
10"	10"
12"	13"
14"	14"
16"	14"
18"	14"
20"	14"



DIMENSIONS:

Damper models ZD-XX are available in standard sizes from 6" to 20"

APPLICATION:

For Zone One stand along modulating and Z-1600 modulating zone control systems with static pressures less than 1.0" w.c.
 Requires Z-1600-T P+I control thermostat.

CONSTRUCTION:

- 18 gauge spiral steel shell
- 18 gauge steel blade
- 1/2" aluminum shaft
- Nylon bushings
- Air tight blade seals
- Minimum position adjustment

ELECTRICAL:

- 24 Volt, 2 VA, floating point
- 90 second timing
- 44 lb.-in
- Factory mounted PC actuator board and duct sensor